

Avincis
Every mission matters



CANADAIR CL-415

Specifications

ABOUT US

Avincis is one of the **world's leading emergency aerial services operators**. The environment we work in is challenging and complex, but our purpose is clear - we exist to save lives and protect communities wherever we serve.

As the largest provider of emergency aerial services in Europe - with additional operations in Africa and South America - governments trust us to deliver safe, reliable, and efficient services when their people are most in need.

Our areas of focus are: helicopter emergency medical services, air ambulance services, search and rescue, aerial firefighting, as well as dedicated emergency aerial transport for oil and gas platforms.

If you haven't heard of us that's because although we have been doing this vital work for decades, we often operate invisibly on behalf of our customers who are predominantly government organisations.

In total, we operate from more than 180 bases across Spain, Portugal, Italy, Norway, Sweden, Finland, Mozambique and Chile.

We oversee our global operations, from our headquarters in Lisboa, Portugal where we moved in 2023.

With a fleet of approximately **220 helicopters (180) and aeroplanes (40)**, Avincis counts on a team of more than **2,400 courageous and talented professionals**, including experienced pilots, crews, technicians, and support teams to deliver its unique service.

We are extremely proud of our diverse and multi-cultural workforce.

Our mixed fleet and global network of bases, means we can mobilise aircraft between countries, which not only provides us with efficiency gains, but also demonstrates the size, capacity and resources of the company as a group. These factors mean we can offer our customers more cost-effective solutions and distinguish us from other operators in the market.

We don't just fly amazing aircraft, we also maintain and fix them in our facilities where our on-site engineers and technicians have the capability to carry out complex repairs, rebuilds and modifications.

We also have an awesome in-house R&D team who focus on developing new innovative technologies as well as new training capabilities for the next generation of pilots, technical crew and engineers.

Our experienced pilots are trained to fly in the most challenging environments - they are there when lives are at risk and time is of the essence.

With a unique combination of cutting-edge technology and highly skilled personnel we can run emergency operations with the world's best safety standards wherever we fly.



Our mission is to save lives and protect communities wherever we serve.

OUR NETWORK

55,000

WE COMPLETE APPROXIMATELY
55,000 LIFESAVING MISSIONS A YEAR


73,000

WE FLY APPROXIMATELY
73,000 HOURS A YEAR





CANADAIR CL-415

OEM 	NUMBER IN FLEET 18	AVERAGE AGE 25 years
MODEL CL-215-6B11	MISSION PROFILE TYPE Amphibious forest firefighting aircraft	PROPELLER TYPE Two Hamilton Standard 14SF-19 (four-bladed)
VARIANT CL-415	ENGINE TYPE Two Pratt & Whitney Canada PW123AF (Turboprop)	DIAMETER 13 feet, 1/4 inch (3.97m)
TYPE Fixed-Wing		

WEIGHT LIMITATIONS

	LAND	WATER
MAXIMUM RAMP WEIGHT	44000 lb (19958 kg)	38000 lb (17237 kg)
MAXIMUM TAKE-OFF WEIGHT	43850 lb (19890 kg)	37000 lb (16783 kg)
MAXIMUM LANDING WEIGHT	37000 lb (16783 kg)	37000 lb (16783 kg)

MANEUVERING LOAD LIMITS

0 DEGREE FLAPS	-1.0g to 3.0g
Flaps 10°	0.0g to 2.0g
Flaps 15°	-1.0g to 3.25g
Flaps 25°	0.0g to 2.0g

PROPELLERS

Number and Type	Two 14SF-19 (four-bladed)
Manufacturer	Hamilton Standard
Diameter	13 feet, 1/4 inch (3.97m)

PITCH SETTING

Pitch setting at 42-inch station (1.06 m):	
Reverse	-10° ± 1.17° (dynamic conditions) -13.6° to -15.6° (reverse pitch stop position)
Feathered	86 degrees



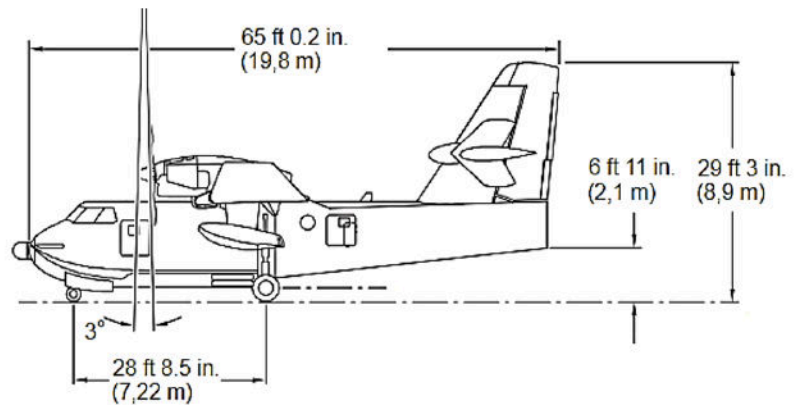
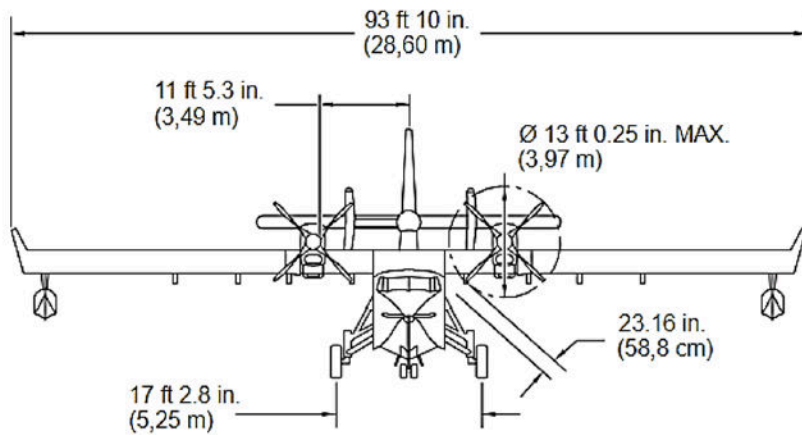
CANADAIR CL-415

SPECIFICATION AND CAPACITIES

Maximum operating speed	IAS 187 kts
Maximum Operating Altitude (TO and Landing)	10000 ft
Maximum Operating Altitude (Enroute)	20000 ft
Maximum Altitude for water pick-up	8000 ft
Minimum control speed (Automatic Feathering Operative)	84

Fuel (Usable)	Pressure refuelling 1530 US Gal - 5796 L Gravity refuelling 1562 US Gal - 5914 L
Water tanks	1621 US Gal (6137 L)
Foam tanks	180 US Gal (680 L)

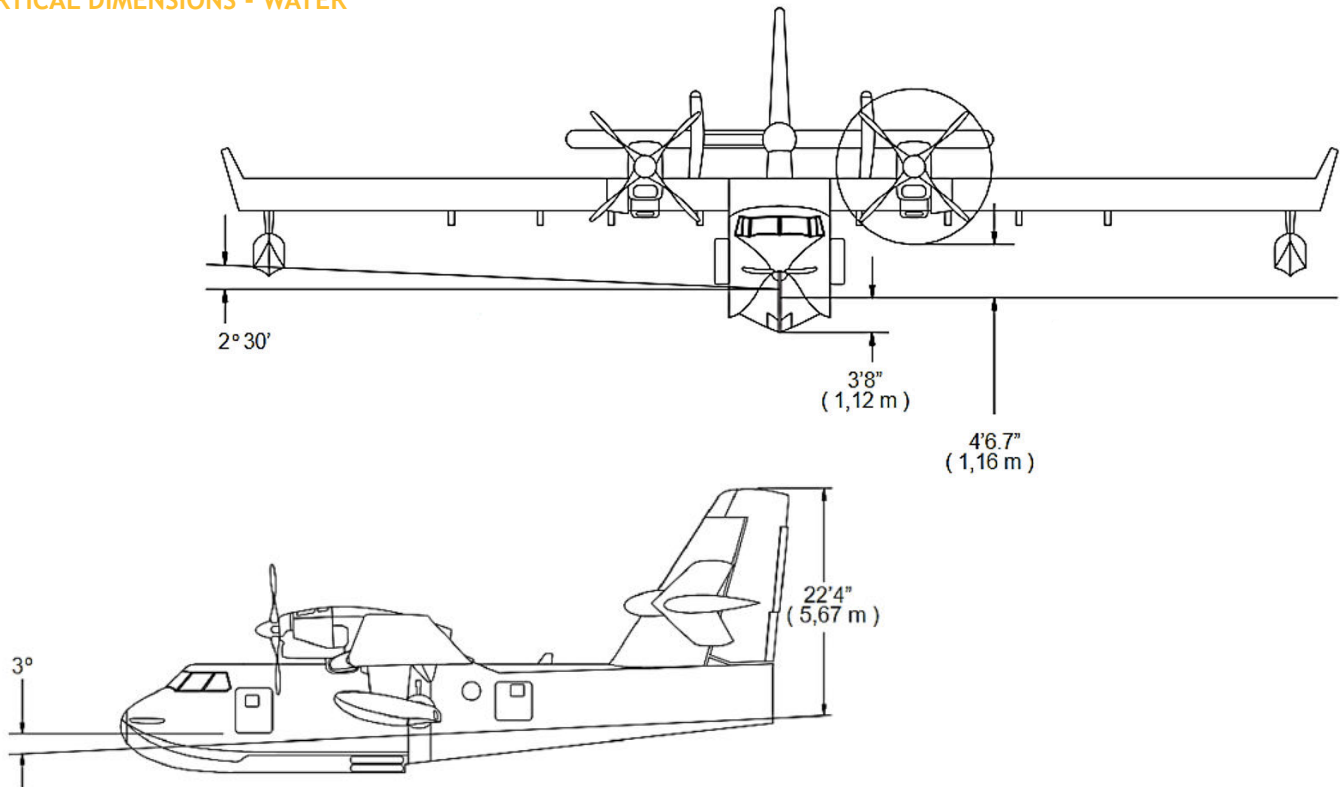
OVERALL DIMENSIONS - LAND





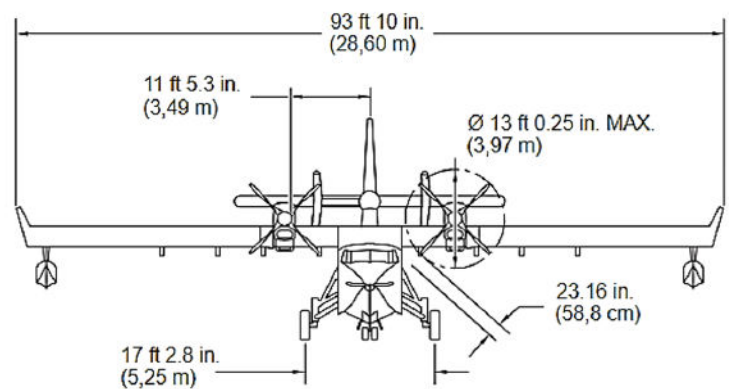
CANADAIR CL-415

VERTICAL DIMENSIONS - WATER



WING DIMENSIONS

Span	93 ft. 10 in. (28,60 mt)
Basic chord - C (constant)	11 ft. 7,3 in (3,53 mt)
Incidence	2 degrees
Sweepback	0 degrees
Dihedral	0 degrees
Aspect ratio	8,6
Wing float wing station	WS 517,75
Wing float displacement	1,900 lb (861,83 kg)

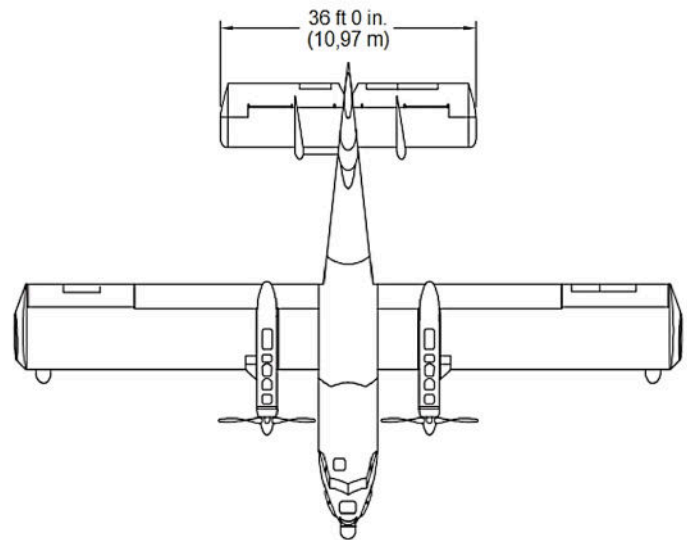




CANADAIR CL-415

HORIZONTAL STABILIZER AND ELEVATOR DIMENSIONS

Span	36 ft. (10,97 mt)
Chord (constant)	8 ft. 8 in. (2,64 mt)
Incidence	1 degree
Dihedral	0 degrees
Sweepback	0 degrees
Aspect ratio	4,23



VERTICAL STABILIZER AND RUDDER DIMENSIONS

Height above fuselage	17 ft. (5,18 mt)
Root chord	15 ft. 10 in. (4,82 mt)
Tip chord (theoretical)	5 ft. 11,95 in. (1,82 mt)
Aspect ratio	1,56

FUSELAGE DIMENSIONS

Step height	10 in. (25,4 cm)
External width (beam)	8 ft. 6 in. (2,59 mt)
Internal cabin height (max)	6 ft. 3 in. (1,91 mt)
Internal floor width (max)	7 ft. 10 in. (2,38 mt)
Main landing gear track	17 ft. 2,8 in. (5,25 mt)
Wheel base	23 ft. 8,5 in. (7,23)
Propeller/fuselage clearance	2 ft. (61 cm)



CANADAIR CL-415

ADVANCED FEATURES

- Two water tanks with total capacity of 1621 US Gal (6137 L)
- Two foam containers with total capacity of 180 US Gal (680 L)
- Foam mixing system
- Emergency opening and closing of the water doors

CREW AND FREIGHT FEATURES

- Air heating
- Air conditioning
- Cargo compartment

SAR / FIREFIGHTING / HEMS FEATURES

- Weather radar system
- ATC (Air Traffic Control) Transponder System
- Global Positioning System (GPS)
- Electronic Flight Instrument System
- Flight Management System
- Autopilot

SAFETY FEATURES

- Oxygen
- Fire extinguisher
- First aid kit
- Axe
- Crowbar
- Bilge pump and escape slide
- Boarding and marine equipment such as boarding ladders
- Anchor and boat hook
- Emergency Locator Transmitter